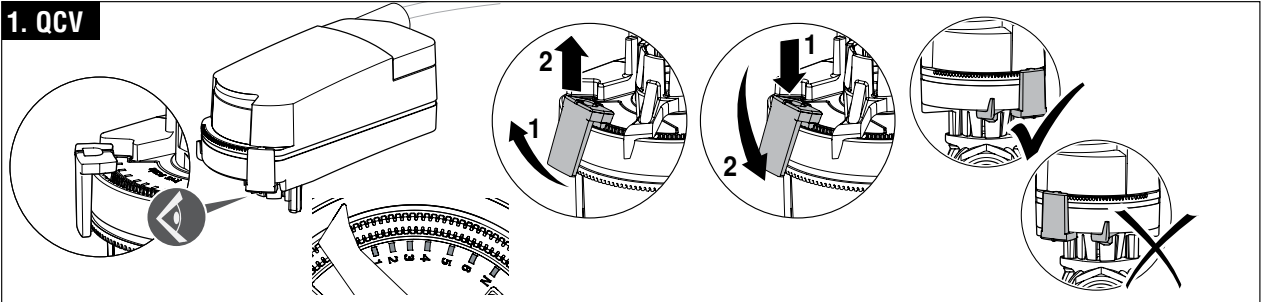


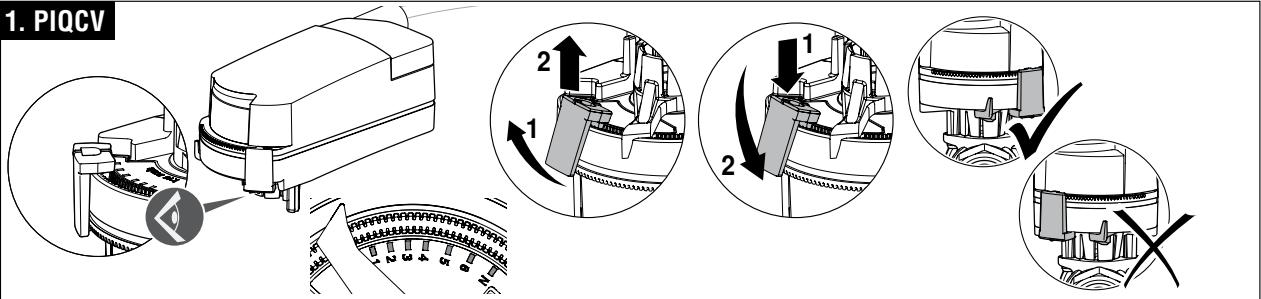
# CQ... Actuators with ZoneTight Zone Valves

## 1. QCV



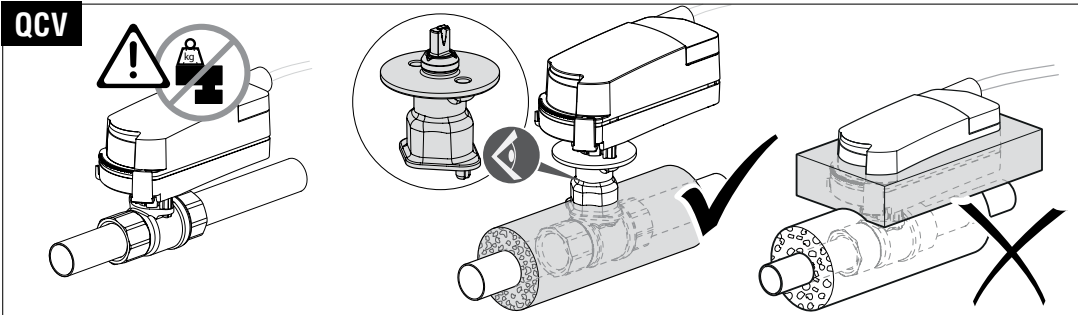
Size	Valve Model	Clip Position for Cv Adjustment (2-way Valves)							
		1	2	3	4	5	6	N	No Clip
1/2"	Z2050Q-J	0.5	0.7	1.2	1.7	2.4	3.4	4.8	5.9
3/4"	Z2075Q-K	0.5	1.0	1.5	2.3	3.3	4.6	6.6	9.8
<b>Actuator Runtime</b>		30 sec	37 sec	43 sec	49 sec	55 sec	62 sec	68 sec	75 sec

## 1. PIQCV

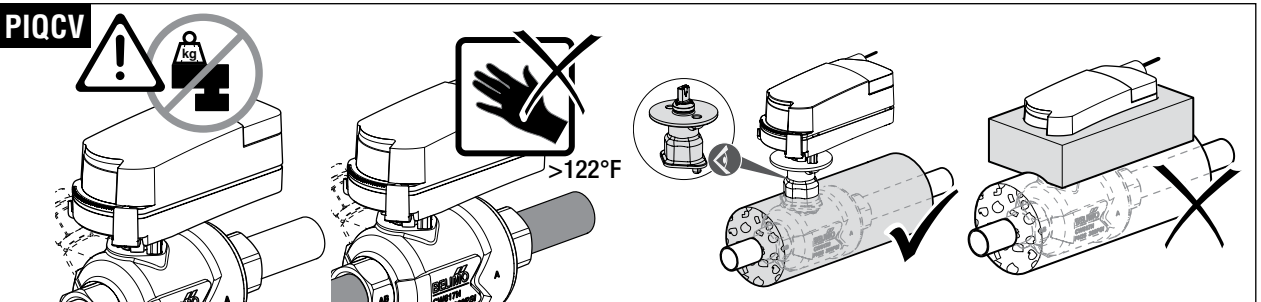


Valve Model (1/2")	Clip Position for Flow Adjustment (GPM)							
	1	2	3	4	5	6	N	No Clip
Z2050QPT-B			0.1	0.2	0.4	0.6	0.8	0.9
Z2050QPT-D	0.2	0.3	0.4	0.5	0.7	1	1.4	1.9
Z2050QPT-F	0.5	0.6	0.8	1.2	1.8	2.7	3.5	4
<b>Actuator Runtime</b>	30 sec	37 sec	43 sec	49 sec	55 sec	62 sec	68 sec	75 sec

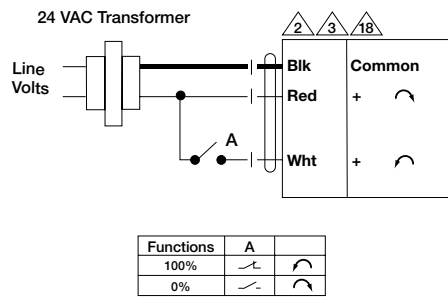
## QCV



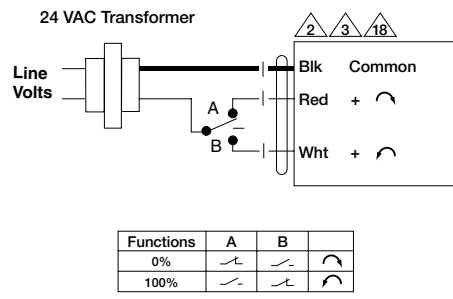
## PIQCV



**CQ..24V, CQB24-3, CQB24-SR (-L) (-R)**



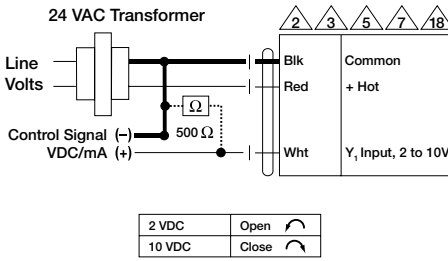
**On/Off, CQB24-3**



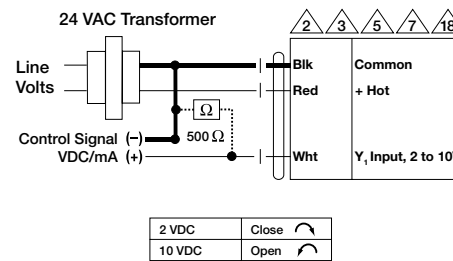
**Floating Point, CQB24-3**

**Notes:**

- ◆ Meets cULus requirements without the need of an electrical ground connection
- ⚠️ 2 Actuators may be connected in parallel. Power consumption and input impedance must be observed.
- ⚠️ 3 Actuators may also be powered by 24 VDC.
- ⚠️ 5 Only connect common to neg. (-) leg of control circuits.
- ⚠️ 7 A 500 Ω (ZG-R01) converts the 4 to 20 mA control signal to 2 to 10 VDC.
- ⚠️ 18 Actuators with plenum rated cable do not have numbers on wires; use color codes instead.

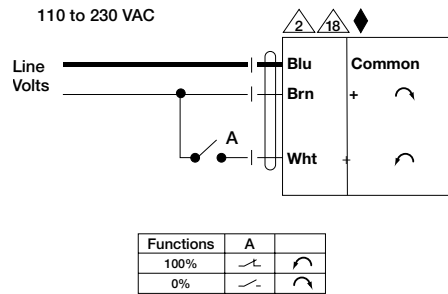


**Proportional, CQB24-SR-L**

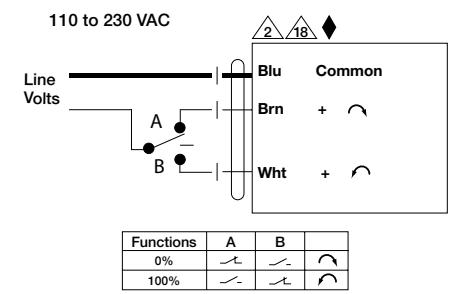


**Proportional, CQB24-SR-R**

**CQ..110-240V, CQBUP-3**



**On/Off, CQBUP-3**



**Floating Point, CQBUP-3**

**WHT**  
White  
Blanco  
Blanc  
Branco

**RED**  
Red  
Rojo  
Rouge  
Vermelho

**BLK**  
Black  
Negro  
Noir  
Preto